

# PRODUCT INFORMATION PACKET

Model No: 145TTFR16019

Catalog No: GT5506

2 HP Close-Coupled Pump Motor, 3 phase, 3600 RPM, 575 V, 145JPV Frame, TEFC  
JP Motors



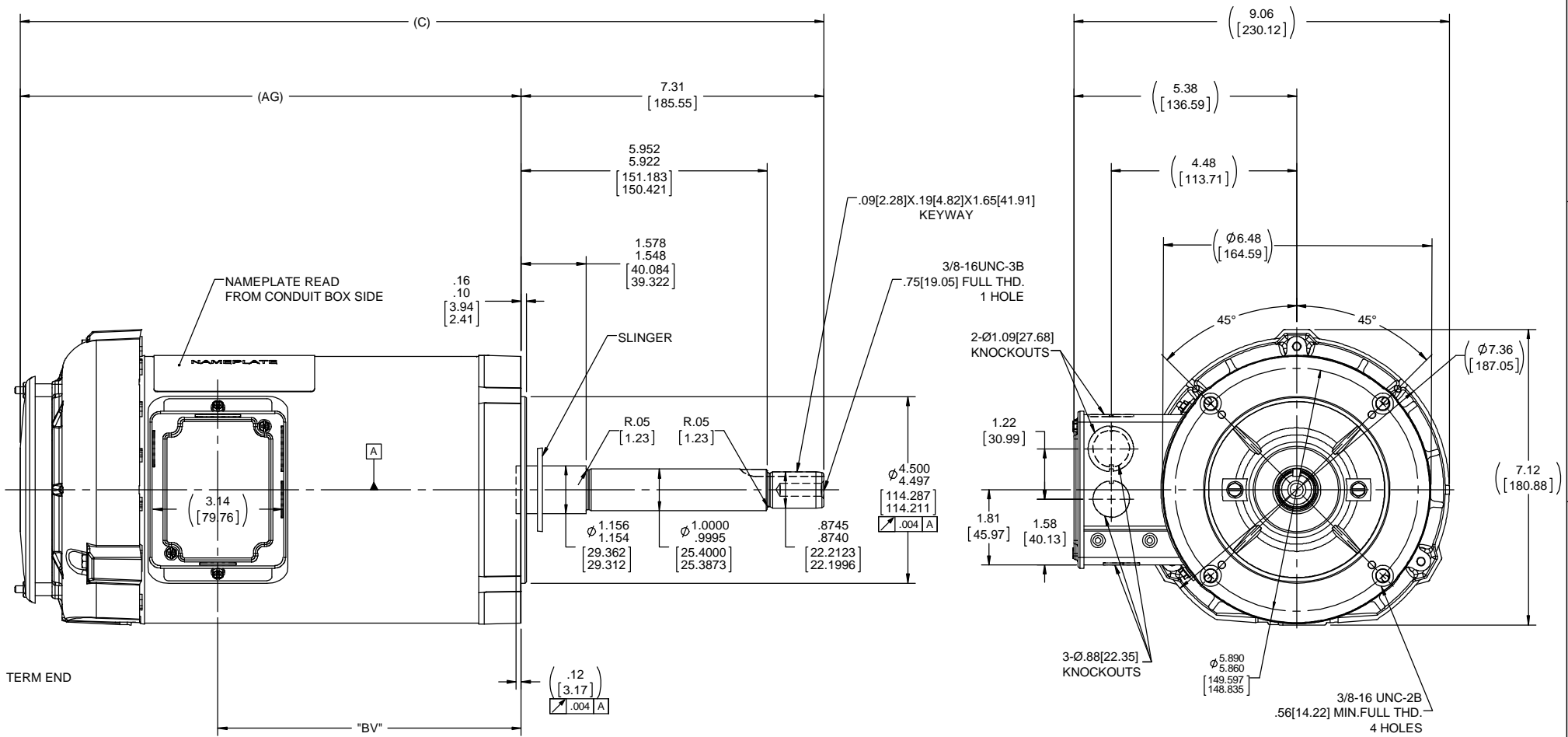
### Nameplate Specifications

Output HP	<b>2 Hp</b>	Output KW	<b>1.5 kW</b>
Frequency	<b>60 Hz</b>	Voltage	<b>575 V</b>
Current	<b>2.0 A</b>	Speed	<b>3500 rpm</b>
Service Factor	<b>1.15</b>	Phase	<b>3</b>
Efficiency	<b>85.5 %</b>	Power Factor	<b>86</b>
Duty	<b>Continuous</b>	Insulation Class	<b>F</b>
Design Code	<b>B</b>	KVA Code	<b>K</b>
Frame	<b>145JPV</b>	Enclosure	<b>Totally Enclosed Fan Cooled</b>
Thermal Protection	<b>No</b>	Ambient Temperature	<b>40 °C</b>
Drive End Bearing Size	<b>6206</b>	Opp Drive End Bearing Size	<b>6203</b>
UL	<b>Recognized</b>	CSA	<b>Y</b>
CE	<b>Y</b>	IP Code	<b>43</b>

### Technical Specifications

Electrical Type	<b>Squirrel Cage Inverter Rated</b>	Starting Method	<b>Line Or Inverter</b>
Poles	<b>2</b>	Rotation	<b>Reversible</b>
Resistance Main	<b>7.1 Ohms</b>	Mounting	<b>Round</b>
Motor Orientation	<b>Horizontal Or Shaft Down</b>	Drive End Bearing	<b>Ball</b>
Opp Drive End Bearing	<b>Ball</b>	Frame Material	<b>Rolled Steel</b>
Shaft Type	<b>JP</b>	Overall Length	<b>20.35 in</b>
Frame Length	<b>9.06 in</b>	Shaft Diameter	<b>0.875 in</b>
Shaft Extension	<b>7.31 in</b>	Assembly/Box Mounting	<b>F1 ONLY</b>
Connection Drawing	<b>A-EE7300</b>	Outline Drawing	<b>B-100659-906</b>

This is an uncontrolled document once printed or downloaded and is subject to change without notice. Date Created:20/01/2021



NOTE:  
CONDUIT BOX CAN BE ROTATED 180°.

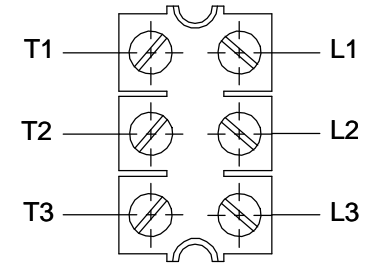
DASH NO.	"C"	"AG"	"BV"
656	17.90[454.66]	10.59[268.98]	5.82[147.82]
706	18.40[467.36]	11.09[281.68]	6.32[160.52]
756	18.90[480.06]	11.59[294.38]	6.82[173.22]
806	19.40[492.76]	12.09[307.08]	7.32[185.92]
856	19.90[505.46]	12.59[319.78]	7.82[198.62]
906	20.40[518.16]	13.09[332.48]	8.32[211.32]
956	20.90[530.86]	13.59[345.18]	8.82[224.02]

DRAWING REVISION B		REVISION BY A. KEETHA	DATE 01-29-2018	TOLERANCES UNLESS OTHERWISE SPECIFIED:		DRAWN BY RM	Regal Beloit America, Inc.
ECO-0143026		APPROVED BY PST	DATE 04/11/2018	DEC. INCH mm ANGLE	DATE 10-23-1992	APPROVED BY MS	
ECO DESCRIPTION				.X ±0.1 [±2.5]	DATE 10-27-1992	DESCRIPTION	OUTLINE
OUTLINE CONVERSION PROJECT				.XX ±0.02 [±0.51]	DATE 10-27-1992	DESCRIPTION	
COPYRIGHT REGAL BELOIT AMERICA, INC. ALL RIGHTS RESERVED.				.XXX ±0.005 [±0.127]	REFERENCE 100659	MATERIAL	PROCESS/FINISH
PROPRIETARY AND CONFIDENTIAL INFORMATION. THIS DOCUMENT IS THE PROPERTY OF REGAL BELOIT AMERICA, INC. FORMERLY AND CONTAINING OWNERS PROPRIETARY INFORMATION. ANY PERSON, CORPORATION OR OTHER FIRM RECEIVING IT IS DEEMED TO HAVE RECEIVED IT IN CONFIDENCE AND IS NOT TO BE DISCLOSED TO ANY PERSON, CORPORATION OR OTHER ENTITY, DUPLICATED, AND/OR USED, EXCEPT AS EXPRESSLY APPROVED IN ADVANCE BY OWNER. THIS DOCUMENT SHALL BE RETURNED TO OWNER UPON REQUEST. IT MAY BE SUBJECT TO CERTAIN RESTRICTIONS UNDER APPLICABLE EXPORT CONTROL LAWS AND REGULATIONS.				.XXXX ±0.0005 [±0.0127]	THIRD ANGLE PROJECTION	SIZE	DRAWING NUMBER
				MACHINED SURFACES: 200/5.1 INCH/mil	PROJECTION	C	100659
				mm SHOWN IN (BRACKETS)			SHEET 1 OF 1

**THREE PHASE - SINGLE VOLTAGE  
MOTOR - CONDUIT BOX @ 'A'**

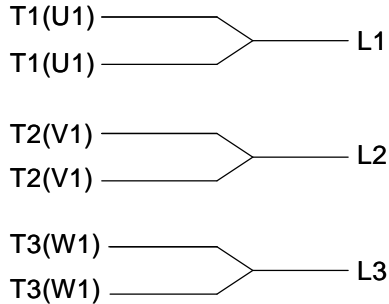
**TO REVERSE ROTATION:  
INTERCHANGE ANY TWO  
LINE LEAD CONNECTIONS.**

**TERMINAL BLOCK WHEN SPECIFIED**



**VIEW OF TERMINAL END**

**IF MOTOR HAS  
6 LEADS**



**A-9806 DECAL**

**OPTIONAL CORD  
CONNECTION**



DRAWING REVISION <b>AB</b>	REVISION BY <b>JJB</b>	DATE <b>06-27-2017</b>
ECO <b>ECO-0125361</b>	APPROVED BY <b>TB</b>	DATE <b>06-27-2017</b>
ECO DESCRIPTION <b>UPDATED TO CURRENT STANDARDS</b>		
<small>COPYRIGHT REGAL BELOIT AMERICA, INC. ALL RIGHTS RESERVED.                  PROPRIETARY AND CONFIDENTIAL INFORMATION - THIS DOCUMENT IS THE PROPERTY OF                  REGAL BELOIT AMERICA, INC. ("OWNER") AND CONTAINS OWNER'S PROPRIETARY                  INFORMATION. ANY PERSON, CORPORATION OR OTHER FIRM RECEIVING IT IS DEEMED,                  BY RECEIVING IT, TO AGREE THAT IT, AND/OR ANY PART OF IT, SHALL NOT BE DISCLOSED                  TO ANY PERSON, CORPORATION OR OTHER ENTITY, DUPLICATED, AND/OR USED, EXCEPT                  AS EXPRESSLY APPROVED IN WRITING IN ADVANCE BY OWNER. THIS DOCUMENT SHALL                  BE RETURNED TO OWNER UPON REQUEST. IT MAY BE SUBJECT TO CERTAIN                  RESTRICTIONS UNDER APPLICABLE EXPORT CONTROL LAWS AND REGULATIONS.</small>		



DRAWN BY <b>DA</b>
DATE <b>03-26-1993</b>
APPROVED BY <b>TB</b>
DATE <b>03-26-1993</b>
REFERENCE
THIRD ANGLE PROJECTION

<b>Regal Beloit America, Inc.</b>	
DESCRIPTION <b>CONNECTION DIAGRAM EXTERNAL - SINGLE VOLTAGE - 3Ø MOTOR</b>	
MATERIAL	PROCESS/FINISH
SIZE <b>A</b>	DRAWING NUMBER <b>EE7300</b>
SHEET <b>1 OF 1</b>	



Data Sheet

14STFR16019



Submittal  
Data @ 575 V

Date: 6/19/2017

Customer:   
Attention:   
Submitted by: FAREEDA DUDEKULA

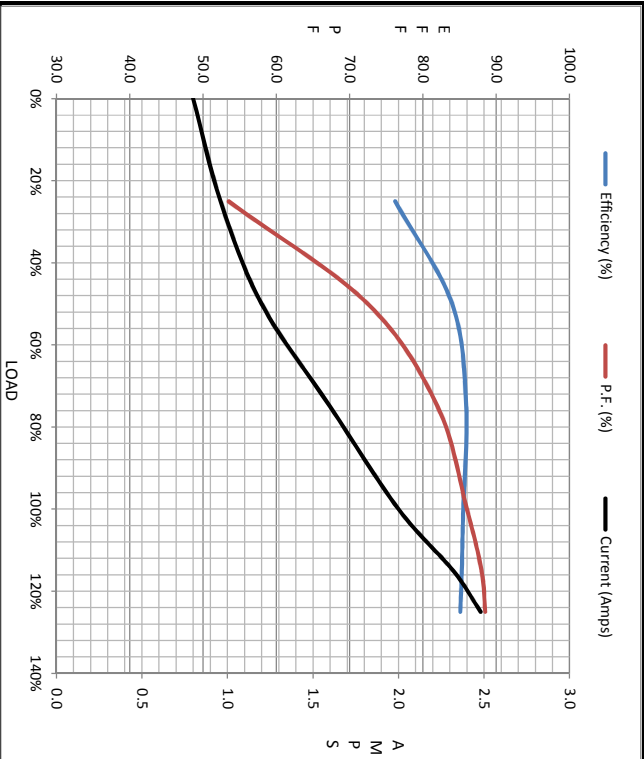
Load	Motor Load Data							
	0%	25%	50%	75%	100%	115%	125%	LR
Current (Amps)	0.80	0.96	1.20	1.60	2.00	2.32	2.48	17.4
Torque (ft-lb)	0.00	0.74	1.48	2.23	3.0	3.5	3.8	9.5
RPM	3600	3575	3550	3525	3500	3,485	3470	0
P.F. (%)	20.0	76.2	84.0	85.9	85.5	85.3	85.1	85.1
		53.5	72.5	82.0	86.0	88.0	88.5	42.0

Motor Speed Data

	LR	Pull-Up	BD	Rated	Idle
Speed (rpm)	0	1500	2615	3500	3600
Current (Amps)	17.4	16.4	11.6	2.00	0.80
Torque (ft-lb)	9.5	9.4	12.2	3.0	0.00

Information Block

HP	2.0			
Sync. RPM	3600			
Frame	145			
Enclosure	TEFC			
Construction	TFR			
Voltage	575 V			
Frequency	60 HZ			
Design	B			
LR Code letter	K			
Service Factor	1.15			
Temp Rise @ FL	36 °C			
Duty	CONT			
Ambient	40 °C			
Elevation	1,000 feet			
Rotor/Shaft wk <sup>e</sup>	0.07 Lb-Fe			
Rel Wdg	Z12142 FR			
Sound Pressure @ 1M	69 dBA			
VFD Rating	CONSTANT 2:1			
Outline Dwg	B-100659-906			
Conn. Diag	A-EE7300			
Additional Specifications:				
0				
EQUIV CKT (OHMS / PHASE)				
R1	R2	X1	X2	Xm
6.8780	4.8810	10.2060	8.6530	326.1560



Speed - Torque Curve

